



ROUTE

Lab Guide

300-101

Labs powered by



ROUTE

300-101 Lab Guide



25 Century Blvd., Ste. 500, Nashville, TN 37214 | Boson.com

To perform the labs referenced in this book, please download and install the necessary files (refer to your purchase receipt for the download link), navigate to the appropriate lab in the lab menu in the Boson NetSim, and load the lab; all labs should work in NetSim 11 or later. To learn more about the Boson NetSim or to purchase and download the software, please visit www.boson.com/netsim.

Copyright © 2017 Boson Software, LLC. All rights reserved. Boson, Boson NetSim, Boson Network Simulator, and Boson Software are trademarks or registered trademarks of Boson Software, LLC. Catalyst, Cisco, and Cisco IOS are trademarks or registered trademarks of Cisco Systems, Inc. in the United States and certain other countries. Media elements, including images and clip art, are the property of Microsoft. All other trademarks and/or registered trademarks are the property of their respective owners. Any use of a third-party trademark does not constitute a challenge to said mark. Any use of a product name or company name herein does not imply any sponsorship of, recommendation of, endorsement of, or affiliation with Boson, its licensors, licensees, partners, affiliates, and/or publishers.

Module 1: Basic Router Security and Management..... 11

Lab 1.1 – Initial Configuration	12
Lab Tasks	14
Lab Solutions.....	16
Lab 1.2 – Router Remote Access via Telnet.....	22
Lab Tasks	23
Lab Solutions.....	25
Lab 1.3 – AAA Login Authentication and Exec Authorization.....	29
Lab Tasks	30
Lab Solutions.....	34
Lab 1.4 – Configuring SSH.....	40
Lab Tasks	41
Lab Solutions.....	43
Lab 1.5 – Configuring NTP	47
Lab Tasks	48
Lab Solutions.....	50
Lab 1.6 – Configuring NTP Authentication	60
Lab Tasks	61
Lab 1.7 – System Message Logging.....	64
Lab Tasks	76
Lab Solutions.....	77
Lab 1.8 – Basic Debugging.....	83
Lab Tasks	84
Lab Solutions.....	85
Lab 1.9 – Configuring Network Device Management.....	87
Lab Tasks	89
Lab Solutions.....	93
Lab 1.10 – NetFlow	101
Lab Tasks	102
Lab Solutions.....	104

A sample lab is included in this document to display the quality, format, and content of labs that are included in the Boson NetSim and the Boson Courseware products. However, you will not be able to work through this lab in NetSim without purchasing both Boson NetSim and the Boson CCNP Courseware Lab Pack.

Please visit www.boson.com for more information.

Module 2: Basic Data Forwarding Concepts 109

Lab 2.1 – Configuring IPv6	110
Lab Tasks	111
Lab Solutions.....	114
Lab 2.2 – DHCP.....	121
Lab Tasks	122
Lab Solutions.....	125
Lab 2.3 – DHCP Relay Agents	134
Lab Tasks	136
Lab Solutions.....	139

Lab 2.4 – Network Address Translation	150
Lab Tasks	152
Lab Solutions	155
Module 3: Understanding RIP	163
Lab 3.1 – RIPv2 Configuration Part I	164
Lab Tasks	165
Lab Solutions	168
Lab 3.2 – RIPv2 Configuration Part II	182
Lab Tasks	183
Lab Solutions	186
Lab 3.3 – RIPv6	197
Lab Tasks	198
Lab Solutions	201
Module 4: Understanding OSPF	211
Lab 4.1 – Configuring Single Area OSPF	212
Lab Tasks	213
Lab Solutions	215
Lab 4.2 – Configuring Multi-Area OSPF	222
Lab Tasks	223
Lab Solutions	225
Lab 4.3 – OSPF Special Area Types	233
Lab Tasks	236
Lab Solutions	240
Lab 4.4 – Configuring OSPFv3	256
Lab Tasks	258
Lab Solutions	261
Module 5: Understanding EIGRP	273
Lab 5.1 – Configuring EIGRP Part I	274
Lab Tasks	276
Lab Solutions	278
Lab 5.2 – Configuring EIGRP Part II	285
Lab Tasks	287
Lab Solutions	290
Lab 5.3 – Configuring EIGRP Part III	300
Lab Tasks	302
Lab Solutions	305
Lab 5.4 – EIGRP Authentication	318
Lab Tasks	319
Lab Solutions	322
Lab 5.5 – Configuring EIGRP for IPv6 Part I	334

A sample lab is included in this document to display the quality, format, and content of labs that are included in the Boson NetSim and the Boson Courseware products. However, you will not be able to work through this lab in NetSim without purchasing both Boson NetSim and the Boson CCNP Courseware Lab Pack.

Please visit www.boson.com for more information.

Lab Tasks	336
Lab Solutions.....	338
Lab 5.6 – EIGRP in Named Mode	347
Lab Tasks	349
Lab Solutions.....	352
Module 6: Advanced Data Forwarding Concepts	365
Lab 6.1 – Policy Routing	366
Lab Tasks	367
Lab Solutions.....	369
Lab 6.2 – Redistribution with Route Filtering Part I	374
Lab Tasks	376
Lab Solutions.....	379
Lab 6.3 – Redistribution with Route Filtering Part II	390
Lab Tasks	392
Lab Solutions.....	395
Lab 6.4 – Planning and Configuring OSPF Summarization	408
Lab Tasks	413
Lab Solutions.....	413
Lab 6.5 – PPP and CHAP	436
Lab Tasks	437
Lab Solutions.....	438
Lab 6.6 – Configuring a PPPoE Client.....	441
Lab Tasks	442
Lab Solutions.....	444
Lab 6.7 – Troubleshooting Frame Relay	447
Lab Tasks	449
Lab Solutions.....	451
Lab 6.8 – GRE Tunnels.....	458
Lab Tasks	460
Lab Solutions.....	463
Lab 6.9 – DMVPN Phase I.....	473
Lab Tasks	475
Lab Solutions.....	478
Lab 6.10 – DMVPN Phase II	486
Lab Tasks	487
Lab Solutions.....	490
Lab 6.11 – DMVPN Phase III	498
Lab Tasks	499
Lab Solutions.....	501
Module 7: Understanding BGP.....	509
Lab 7.1 – BGP Peering.....	510

A sample lab is included in this document to display the quality, format, and content of labs that are included in the Boson NetSim and the Boson Courseware products. However, you will not be able to work through this lab in NetSim without purchasing both Boson NetSim and the Boson CCNP Courseware Lab Pack.

Please visit www.boson.com for more information.

Lab Tasks	512
Lab Solutions.....	517
Lab 7.2 – BGP Path Selection	532
Lab Tasks	534
Lab Solutions.....	538
Lab 7.3 – Configuring BGP Part I	552
Lab Tasks	554
Lab Solutions.....	557
Lab 7.4 – Configuring BGP Part II	572

A sample lab is included in this document to display the quality, format, and content of labs that are included in the Boson NetSim and the Boson Courseware products. However, you will not be able to work through this lab in NetSim without purchasing both Boson NetSim and the Boson CCNP Courseware Lab Pack.

Please visit www.boson.com for more information.

Module 1

Lab 1.1 – Initial Configuration

Lab 1.2 – Router Remote Access via Telnet

Lab 1.3 – AAA Login Authentication and Exec Authorization

Lab 1.4 – Configuring SSH

Lab 1.5 – Configuring NTP

Lab 1.6 – Configuring NTP Authentication

Lab 1.7 – System Message Logging

Lab 1.8 – Basic Debugging

Lab 1.9 – Configuring Network Device Management

Lab 1.10 – NetFlow

Labs powered by



Lab 1.1 – Initial Configuration

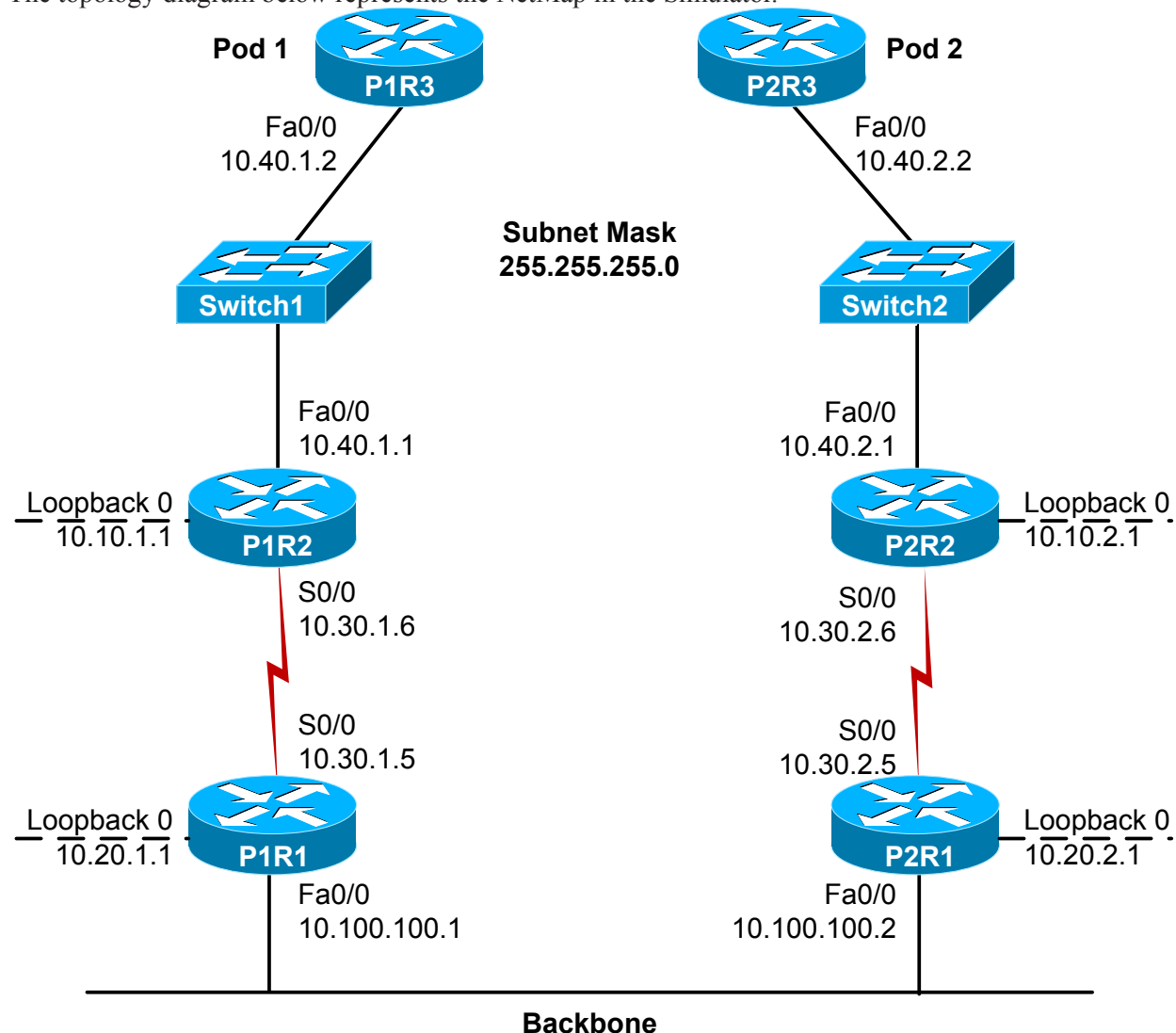
To perform this lab in Boson NetSim, please download the necessary files (refer to your purchase receipt for the download link), navigate to the appropriate lab in the lab menu in NetSim, and load the lab. You can then accomplish the tasks below.

Objective

This lab corresponds to ROUTEv2 Module 1: Basic Router Security and Management, of Boson's CCNP Curriculum. Configure Pod 1 devices with host names, passwords, IP addresses, and the Routing Information Protocol version 2 (RIPv2) routing protocol. Configure the devices in Pod 1; Pod 2 has already been configured upon the initial loading of the lab.

Lab Topology

The topology diagram below represents the NetMap in the Simulator.



The commands you will need to perform the tasks in this lab, along with their syntax and descriptions, are shown in the Command Summary table below.

Command Summary

Command	Description
clock rate <i>clock-rate</i>	sets the clock rate for a Data Communications Equipment (DCE) interface
configure terminal	enters global configuration mode from privileged EXEC mode
copy running-config startup-config	saves the configuration file
enable	enters privileged EXEC mode
enable password <i>password</i>	sets the enable password
enable secret <i>password</i>	sets the enable secret password
end	ends and exits configuration mode
exit	exits one level in the menu structure
hostname <i>host-name</i>	sets the device name
interface <i>type number</i>	changes from global configuration mode to interface configuration mode
ip address <i>ip-address subnet-mask</i>	assigns an IP address to an interface
line vty 0 4	enters configuration mode for virtual terminal (Telnet) lines
login	enables password checking
network <i>network-address</i>	activates the specified routing protocol on the specified network
password <i>password</i>	specifies the password that is required for a user to log in
ping <i>ip-address</i>	sends an Internet Control Message Protocol (ICMP) echo request to the specified address
router rip	enables RIP routing
show controllers <i>interface-type interface-number</i>	displays cable orientation for serial interfaces
show interfaces [<i>type number</i>]	displays the interface's Data Link layer status; when the type and number parameters are included, displays detailed information about the specified interface
show ip route	displays the IP routing table
show running-config	displays the active configuration file
show startup-config	displays the backup configuration file
shutdown; no shutdown	disables an interface; enables an interface
version 2	enables RIPv2

The IP addresses and subnet masks used in this lab are shown in the table below.

IP Addresses

Device	Interface	IP Address	Subnet Mask
P1R1	Serial 0/0	10.30.1.5	255.255.255.0
	FastEthernet 0/0	10.100.100.1	255.255.255.0
	Loopback 0	10.20.1.1	255.255.255.0
P1R2	Serial 0/0	10.30.1.6	255.255.255.0
	FastEthernet 0/0	10.40.1.1	255.255.255.0
	Loopback 0	10.10.1.1	255.255.255.0
P1R3	FastEthernet 0/0	10.40.1.2	255.255.255.0
P2R1	Serial 0/0	10.30.2.5	255.255.255.0
	FastEthernet 0/0	10.100.100.2	255.255.255.0
	Loopback 0	10.20.2.1	255.255.255.0
P2R2	Serial 0/0	10.30.2.6	255.255.255.0
	FastEthernet 0/0	10.40.2.1	255.255.255.0
	Loopback 0	10.10.2.1	255.255.255.0
P2R3	FastEthernet 0/0	10.40.2.2	255.255.255.0

Lab Tasks

Task 1: Configure P1R3

1. Configure P1R3 with a host name of **P1R3**. Configure **cisco** as the enable, enable secret, and virtual terminal password.
2. Configure the appropriate IP address on the FastEthernet 0/0 interface; refer to the IP Addresses table. Enable the interface.
3. Enable RIPv2, and advertise the network for the FastEthernet 0/0 interface.

Task 2: Configure P1R2

1. Configure P1R2 with a host name of **P1R2**. Configure **cisco** as the enable, enable secret, and virtual terminal password.
2. Configure the appropriate IP addresses on the interfaces; refer to the IP Addresses table. Enable the interfaces.
3. Is the Serial 0/0 interface the DCE end or the DTE end of the link? _____
4. Enable RIPv2 on the router, and advertise the networks for all configured interfaces, including loopbacks.

Task 3: Configure P1R1

1. Configure P1R1 with a host name of **P1R1**. Configure **cisco** as the enable, enable secret, and virtual terminal password.
2. Configure the appropriate IP address on the interfaces; refer to the IP Addresses table. Enable the interfaces.
3. Is the Serial 0/0 interface the DCE end of the DTE end of the link? _____
4. Set the clock rate on the Serial 0/0 interface to 64000.
5. Enable RIPv2 on the router, and advertise the networks for all configured interfaces, including loopbacks.

Task 4: Verify the Configuration

1. Examine the routing tables on P1R1, P1R2, and P1R3; do routes to each subnet in the network exist? _
2. From P1R3, attempt to ping P2R3's FastEthernet 0/0 interface (10.40.2.2). Is the ping successful? ____
3. Save the configuration to non-volatile random access memory (NVRAM) on all three routers.

Lab Solutions

Task 1: Configure P1R3

1. You should issue the following commands to configure the appropriate host name and to configure the appropriate enable, enable secret, and virtual terminal password:

```
Router(config)#hostname P1R3
P1R3(config)#enable password cisco
P1R3(config)#enable secret cisco
P1R3(config)#line vty 0 4
P1R3(config-line)#login
P1R3(config-line)#password cisco
```

2. You should issue the following commands to configure the appropriate IP address on the FastEthernet 0/0 interface and to enable the interface; refer to the IP Addresses table:

```
P1R3(config)#interface fastethernet 0/0
P1R3(config-if)#ip address 10.40.1.2 255.255.255.0
P1R3(config-if)#no shutdown
```

3. You should issue the following commands to enable RIPv2 and advertise the network for the FastEthernet 0/0 interface:

```
P1R3(config)#router rip
P1R3(config-router)#version 2
P1R3(config-router)#network 10.0.0.0
```

Task 2: Configure P1R2

1. You should issue the following commands to configure the appropriate host name and to configure the appropriate enable, enable secret, and virtual terminal password:

```
Router(config)#hostname P1R2
P1R2(config)#enable password cisco
P1R2(config)#enable secret cisco
P1R2(config)#line vty 0 4
P1R2(config-line)#login
P1R2(config-line)#password cisco
```

2. You should issue the following commands to configure the appropriate IP addresses on the interfaces and to enable the interfaces; refer to the IP Addresses table:

```
P1R2(config)#interface fastethernet 0/0
P1R2(config-if)#ip address 10.40.1.1 255.255.255.0
P1R2(config-if)#no shutdown
P1R2(config-if)#interface loopback 0
P1R2(config-if)#ip address 10.10.1.1 255.255.255.0
P1R2(config-if)#interface serial 0/0
P1R2(config-if)#ip address 10.30.1.6 255.255.255.0
P1R2(config-if)#no shutdown
```

3. You should issue the following command to determine that the Serial 0/0 interface is the Data Terminal Equipment (DTE) end, not the DCE end. Therefore, you do not need to set a clock rate on P1R2's Serial 0/0 interface.

```
P1R2#show controllers serial 0/0
HD unit 0, idb = 0x1AE828, driver structure at 0x1B4BA0
buffer size 1524  HD unit 0,V.35 DTE cable
cpb = 0x7, eda = 0x58DC, cda = 0x58F0
RX ring with 16 entries at 0x4075800
00 bd_ptr=0x5800 pak=0x1B5E24 ds=0x4079108 status=80 pak_size=13
01 bd_ptr=0x5814 pak=0x1B85B8 ds=0x4080384 status=80 pak_size=13
<output omitted>
```

4. You should issue the following commands to enable RIPv2 and advertise the routes for all connected interfaces, including loopbacks:

```
P1R2(config)#router rip
P1R2(config-router)#version 2
P1R2(config-router)#network 10.0.0.0
```

Task 3: Configure P1R1

1. You should issue the following commands to configure the appropriate host name and to configure the appropriate enable, enable secret, and virtual terminal password:

```
Router(config)#hostname P1R1
P1R1(config)#enable password cisco
P1R1(config)#enable secret cisco
P1R1(config)#line vty 0 4
P1R1(config-line)#login
P1R1(config-line)#password cisco
```

2. You should issue the following commands to configure the appropriate IP addresses on the interfaces and to enable the interfaces; refer to the IP Addresses table:

```
P1R1(config)#interface fastethernet 0/0
P1R1(config-if)#ip address 10.100.100.1 255.255.255.0
P1R1(config-if)#no shutdown
P1R1(config-if)#interface loopback 0
P1R1(config-if)#ip address 10.20.1.1 255.255.255.0
P1R1(config-if)#interface serial 0/0
P1R1(config-if)#ip address 10.30.1.5 255.255.255.0
P1R1(config-if)#no shutdown
```

3. You should issue the following command to determine that the Serial 0/0 interface is the DCE end of the link:

```
P1R1#show controllers serial 0/0
HD unit 0, idb = 0x1AE828, driver structure at 0x1B4BA0
buffer size 1524 HD unit 0,V.35 DCE cable
cpb = 0x7, eda = 0x58DC, cda = 0x58F0
RX ring with 16 entries at 0x4075800
00 bd_ptr=0x5800 pak=0x1B5E24 ds=0x4079108 status=80 pak_size=13
01 bd_ptr=0x5814 pak=0x1B85B8 ds=0x4080384 status=80 pak_size=13
<output omitted>
```

4. You should issue the following commands to set the appropriate clock rate on the Serial 0/0 interface:

```
P1R1(config)#interface serial 0/0
P1R1(config-if)#clock rate 64000
```

5. You should issue the following commands to enable RIPv2 and advertise the networks for all configured interfaces, including loopbacks:

```
P1R1(config)#router rip
P1R1(config-router)#version 2
P1R1(config-router)#network 10.0.0.0
```

Task 4: Verify the Configuration

1. Yes, there is a route to each subnet on the network; you can determine this by issuing the following command on P1R1, P1R2, and P1R3 and examining the routing tables.

```
P1R1#show ip route

Codes: C - connected, S - static, I - IGRP, R - RIP, M - mobile, B - BGP
       D - EIGRP, EX - EIGRP external, O - OSPF, IA - OSPF inter area
       E1 - OSPF external type 1, E2 - OSPF external type 2, E - EGP
       i - IS-IS, L1 - IS-IS level-1, L2 - IS-IS level-2, * - candidate
       default
       U - per-user static route

Gateway of last resort is not set

    10.0.0.0/24 is subnetted, 9 subnets
R       10.10.1.0 [120/1] via 10.30.1.6, 00:09:23, Serial0/0
R       10.10.2.0 [120/2] via 10.100.100.2, 00:06:27, FastEthernet0/0
C       10.20.1.0 is directly connected, Loopback0
R       10.20.2.0 [120/1] via 10.100.100.2, 00:09:29, FastEthernet0/0
C       10.30.1.0 is directly connected, Serial0/0
R       10.30.2.0 [120/1] via 10.100.100.2, 00:03:36, FastEthernet0/0
R       10.40.1.0 [120/1] via 10.30.1.6, 00:05:20, Serial0/0
R       10.40.2.0 [120/2] via 10.100.100.2, 00:06:28, FastEthernet0/0
C       10.100.100.0 is directly connected, FastEthernet0/0
```



```
P1R2#show ip route
<output omitted>
```

```
Gateway of last resort is not set
```

```
    10.0.0.0/24 is subnetted, 9 subnets
C       10.10.1.0 is directly connected, Loopback0
R       10.10.2.0 [120/3] via 10.30.1.5, 00:04:40, Serial0/0
R       10.20.1.0 [120/1] via 10.30.1.5, 00:02:17, Serial0/0
R       10.20.2.0 [120/2] via 10.30.1.5, 00:04:24, Serial0/0
C       10.30.1.0 is directly connected, Serial0/0
R       10.30.2.0 [120/2] via 10.30.1.5, 00:07:35, Serial0/0
C       10.40.1.0 is directly connected, FastEthernet0/0
R       10.40.2.0 [120/3] via 10.30.1.5, 00:06:44, Serial0/0
R       10.100.100.0 [120/1] via 10.30.1.5, 00:04:43, Serial0/0
```

```
P1R3#show ip route
<output omitted>
```

```
Gateway of last resort is not set
```

```
    10.0.0.0/24 is subnetted, 9 subnets
R       10.10.1.0 [120/1] via 10.40.1.1, 00:01:44, FastEthernet0/0
R       10.10.2.0 [120/4] via 10.40.1.1, 00:07:26, FastEthernet0/0
R       10.20.1.0 [120/2] via 10.40.1.1, 00:06:24, FastEthernet0/0
R       10.20.2.0 [120/3] via 10.40.1.1, 00:01:41, FastEthernet0/0
R       10.30.1.0 [120/1] via 10.40.1.1, 00:06:41, FastEthernet0/0
R       10.30.2.0 [120/3] via 10.40.1.1, 00:06:26, FastEthernet0/0
C       10.40.1.0 is directly connected, FastEthernet0/0
R       10.40.2.0 [120/4] via 10.40.1.1, 00:08:28, FastEthernet0/0
R       10.100.100.0 [120/2] via 10.40.1.1, 00:03:34, FastEthernet0/0
```

2. Yes, the ping from P1R3 to P2R3's FastEthernet 0/0 interface (10.40.2.2) is successful.

```
P1R3#ping 10.40.2.2
```

Sample Configuration Scripts

P1R1	P1R1 (<i>continued</i>)
<pre>P1R1#show running-config Building configuration... Current configuration : 857 bytes ! Version 15.b service timestamps debug uptime service timestamps log uptime no service password-encryption ! hostname P1R1 enable secret 5 \$1\$ynbj\$Tnn/ ZUNJSZs4RjVl7IszPw enable password cisco ! ip subnet-zero ! ip cef no ip domain-lookup ! interface Loopback0 ip address 10.20.1.1 255.255.255.0 no ip directed broadcast ! interface Serial0/0 ip address 10.30.1.5 255.255.255.0 no ip directed-broadcast clock rate 64000 ! interface Serial0/1 no ip address no ip directed-broadcast ! interface FastEthernet0/0 ip address 10.100.100.1 255.255.255.0 no ip directed-broadcast !</pre>	<pre>router rip version 2 network 10.0.0.0 ! ip classless no ip http server ! line con 0 line aux 0 line vty 0 4 login password cisco ! no scheduler allocate end</pre>

P1R2	P1R3
<pre> P1R2#show running-config Building configuration... Current configuration : 768 bytes ! Version 15.b service timestamps debug uptime service timestamps log uptime no service password-encryption ! hostname P1R2 enable secret 5 \$1\$ynbj\$Tnn/ ZUNJSZs4RjVl7IszPw enable password cisco ! ip subnet-zero ! ip cef no ip domain-lookup ! interface Loopback0 ip address 10.10.1.1 255.255.255.0 no ip directed broadcast ! interface Serial0/0 ip address 10.30.1.6 255.255.255.0 no ip directed-broadcast ! interface FastEthernet0/0 ip address 10.40.1.1 255.255.255.0 no ip directed-broadcast ! router rip version 2 network 10.0.0.0 ! ip classless no ip http server ! line con 0 line aux 0 line vty 0 4 login password cisco ! no scheduler allocate end </pre>	<pre> P1R3#show running-config Building configuration... Current configuration : 592 bytes ! Version 15.b service timestamps debug uptime service timestamps log uptime no service password-encryption ! hostname P1R3 enable secret 5 \$1\$ynbj\$Tnn/ ZUNJSZs4RjVl7IszPw enable password cisco ! ip subnet-zero ! ip cef no ip domain-lookup ! interface FastEthernet0/0 ip address 10.40.1.2 255.255.255.0 no ip directed-broadcast ! router rip version 2 network 10.0.0.0 ! ip classless no ip http server ! line con 0 line aux 0 line vty 0 4 login password cisco ! no scheduler allocate end </pre>

Certification Candidates

Boson Software's ExSim-Max practice exams are designed to simulate the complete exam experience. These practice exams have been written by in-house authors who have over 30 years combined experience writing practice exams. ExSim-Max is designed to simulate the live exam, including topics covered, question types, question difficulty, and time allowed, so you know what to expect. To learn more about ExSim-Max practice exams, please visit www.boson.com/exsim-max-practice-exams or contact Boson Software.

Organizational and Volume Customers

Boson Software's outstanding IT training tools serve the skill development needs of organizations such as colleges, technical training educators, corporations, and governmental agencies. If your organization would like to inquire about volume opportunities and discounts, please contact Boson Software at orgsales@boson.com.

Contact Information

E-Mail: support@boson.com
Phone: 877-333-EXAM (3926)
615-889-0121
Fax: 615-889-0122
Address: 25 Century Blvd., Ste. 500
Nashville, TN 37214





B o s o n . c o m

8 7 7 . 3 3 3 . 3 9 2 6 s u p p o r t @ b o s o n . c o m

© Copyright 2017 Boson Software, LLC. All rights reserved.